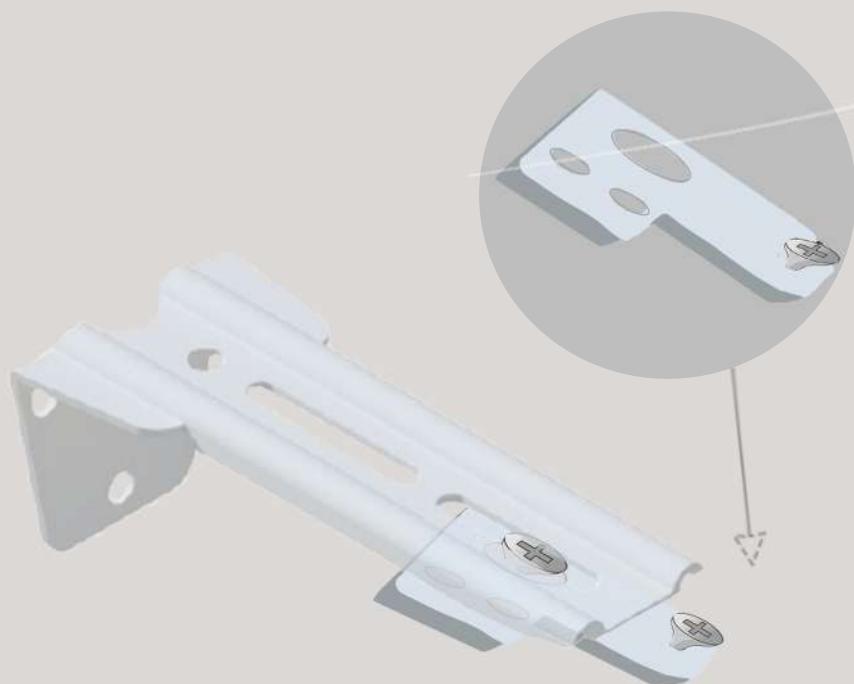


Sezione supporto a parete ST-ECO e aggancio per profilo Q-35



ST-ECO 10

Lunghezza supporto: 12,5 cm
Distanza del binario dal muro:
-senza prolunga da 3 a 12,5 cm
-con prolunga da 3 a 20,5 cm

A cross-sectional diagram showing the ST-ECO 10 support bracket mounted on a wall. The bracket's length is 12.5 cm. A dashed arrow indicates the distance from the wall to the center of the Q-35 profile. The diagram shows two installation options: without an extension (3 to 12.5 cm) and with an extension (3 to 20.5 cm).

ST-ECO 12,5

Lunghezza supporto: 10 cm
Distanza del binario dal muro:
-senza prolunga da 3 a 10 cm
-con prolunga da 3 a 17,5 cm

A cross-sectional diagram showing the ST-ECO 12.5 support bracket mounted on a wall. The bracket's length is 10 cm. A dashed arrow indicates the distance from the wall to the center of the Q-35 profile. The diagram shows two installation options: without an extension (3 to 10 cm) and with an extension (3 to 17.5 cm).

ST-ECO 7,5

Lunghezza supporto: 7,5 cm
Distanza del binario dal muro:
-senza prolunga da 3 a 7,5 cm
-con prolunga da 3 a 15,5 cm

A cross-sectional diagram showing the ST-ECO 7.5 support bracket mounted on a wall. The bracket's length is 7.5 cm. A dashed arrow indicates the distance from the wall to the center of the Q-35 profile. The diagram shows two installation options: without an extension (3 to 7.5 cm) and with an extension (3 to 15.5 cm).

ST-ECO 15

Lunghezza supporto: 15 cm
Distanza del binario dal muro:
-senza prolunga da 3 a 15 cm
-con prolunga da 3 a 22,5 cm

A cross-sectional diagram showing the ST-ECO 15 support bracket mounted on a wall. The bracket's length is 15 cm. A dashed arrow indicates the distance from the wall to the center of the Q-35 profile. The diagram shows two installation options: without an extension (3 to 15 cm) and with an extension (3 to 22.5 cm).